

Style BVS2

Ball Valve

Carbon Steel (ASTM A 216, Grade WCB)

Stainless Steel (ASTM A 351, Grade CF8M)

NPT Ends



Seal Welded High Pressure Ball Valve

APPLICATIONS

Industrial and Oil/Gas piping applications where the safety of seal welded construction is desired, the high flow capacity of full bore design is required, and operating pressures are 2160 PSIG or lower.

CONSTRUCTION

Keckley Style BVS2 seal welded high pressure ball valves are constructed from investment cast ASTM grade materials that are NACE MR0175 compliant. They are machined to exacting specifications. Full seal welding of body to tailpiece eliminates the possibility of the tailpiece unthreading, leaking or “blowing out” in service. All valves are shell and seat tested in accordance with API 598.

FEATURES

- Seal Welded Construction
- API 607 6th Edition Fire-Safe
- Full Port - All Sizes
- All Models are NACE MR0175 Compliant
- Elongated Packing Gland for Ease of Access When Automated
- Standard ISO Actuator Mounting Pads on All Sizes
- Standard Locking Stainless Steel Handles
- Electrically Grounded Stem
- Optional PEEK Seats for High Temp Services
- Optional Oval Handles

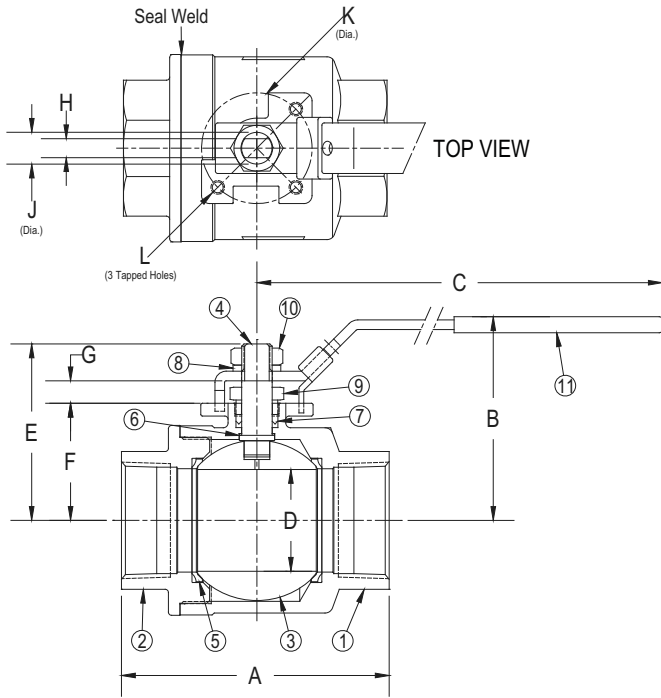
ORDERING

Reference *How to Order BVS2 Ball Valves* for building the Keckley Product Number.

WORKING PRESSURES - NON SHOCK

MATERIAL	MEDIA	¼" to 2"	8 mm to 50 mm
ASTM A 216, Grade WCB	W.O.G.	2220 PSI @ 100°F	15306 KPa @ 38°C
MATERIAL	MEDIA	¼" to 2"	8 mm to 50 mm
ASTM A 351, Grade CF8M	W.O.G.	2160 PSI @ 100°F	14893 KPa @ 38°C
MATERIAL	MEDIA	2-½" to 3"	65 mm to 80 mm
ASTM A 216, Grade WCB & ASTM A 351, Grade CF8M	W.O.G.	1500 PSI @ 100°F	10342 KPa @ 38°C
MATERIAL	MEDIA	4"	100 mm
ASTM A 216, Grade WCB & ASTM A 351, Grade CF8M	W.O.G.	1000 PSI @ 100°F	6895 KPa @ 38°C
MATERIAL	MEDIA	¼" to 4"	8 mm to 100 mm
ASTM A 216, Grade WCB & ASTM A 351, Grade CF8M	Saturated Steam (WSP)	200 PSI @ 388°F	1379 KPa @ 198°F

Note: Optional PEEK Seats WSP is 250 PSIG @ 406°F (1724 KPa @ 208°C)



Style BVS2

Seal Welded High Pressure Ball Valve

NPT Ends

PARTS LIST			
ITEM	DESCRIPTION	MATERIAL	
1	Body	A 216, WCB	A 351, CF8M
2	Tailpiece	A 216, WCB	A 351, CF8M
3	Ball	A 351, CF8M or 316SS	A 351, CF8M or 316SS
4	Stem	A 276, 316	A 276, 316
5	Seat (2) [†]	R-PTFE	R-PTFE
6	Thrust Washer	R-PTFE	R-PTFE
7	Stem Packing	Graphite	Graphite
8	Spring Washer	304SS	304SS
9	Packing Gland	A 276, 316	A 276, 316
10	Lock Nut	304SS	304SS
11	Handle	300 Series SS	300 Series SS
	Pipe*	A 283, CS	A 283, CS
	Handle Bolt*	304SS	304SS
	Bolt*	304SS	304SS

*Parts referenced are for a 4" size only [Not Shown].

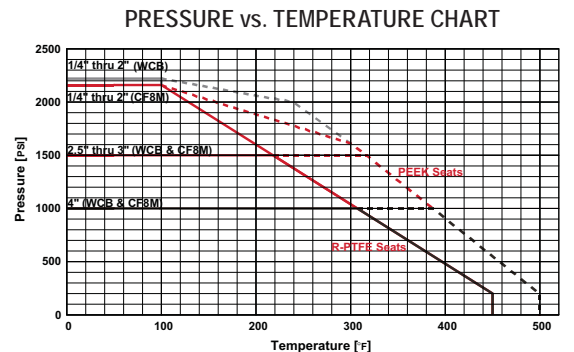
[†]Optional PEEK Seats for High Temp Service are available.

SIZE		DIMENSIONS														WEIGHTS	
in	mm	A		B		C		D		E		F		G		lbs	kgs
1/4	8	2.6	66.0	2.2	55.9	5.1	129.5	0.43	11.0	1.53	38.86	0.92	23.37	0.21	5.33	1.0	0.5
3/8	10	2.6	66.0	2.2	55.9	5.1	129.5	0.43	11.0	1.53	38.86	0.92	23.37	0.21	5.33	1.0	0.5
1/2	15	2.6	66.0	2.2	55.9	5.1	129.5	0.50	12.7	1.53	38.86	0.92	23.37	0.21	5.33	1.0	0.5
3/4	20	2.9	73.7	2.8	71.1	5.7	144.8	0.81	20.5	2.26	57.40	1.30	33.02	0.37	9.40	1.7	0.8
1	25	3.4	86.4	3.0	76.2	5.7	144.8	1.00	25.4	2.49	63.25	1.47	37.34	0.41	10.41	2.7	1.2
1-1/4	32	3.8	96.5	3.6	91.4	7.3	185.4	1.25	31.8	2.92	74.17	1.77	44.96	0.44	11.18	3.9	1.8
1-1/2	40	4.3	109.2	3.8	96.5	7.8	198.1	1.50	38.1	3.18	80.77	2.02	51.31	0.44	11.18	5.9	2.7
2	50	4.8	121.9	4.4	111.8	7.8	198.1	2.00	50.0	3.64	92.46	2.38	60.45	0.55	13.97	9.5	4.3
2-1/2	65	6.5	165.1	5.0	127.0	13.9	353.1	2.50	63.5	4.33	109.98	2.88	73.15	0.55	13.97	17.0	7.7
3	80	7.2	182.9	5.4	137.2	13.9	353.1	3.00	76.0	4.73	120.14	3.27	83.06	0.55	13.97	25.1	11.4
4	100	8.4	213.4	7.3	185.4	18.0	457.2	4.00	100.0	5.94	150.88	4.63	117.60	0.55	13.97	44.1	20.0

SIZE		DIMENSIONS								ISO PATTERN
in	mm	H		J		K		L		
1/4	8	0.20	5.08	0.31	7.87	1.42	36.0	1/4"-20 UNC	F03	
3/8	10	0.20	5.08	0.31	7.87	1.42	36.0	1/4"-20 UNC	F03	
1/2	15	0.20	5.08	0.31	7.87	1.42	36.0	1/4"-20 UNC	F03	
3/4	20	0.28	7.11	0.44	11.18	1.65	42.0	1/4"-20 UNC	F04	
1	25	0.28	7.11	0.44	11.18	1.65	42.0	1/4"-20 UNC	F04	
1-1/4	32	0.35	8.89	0.56	14.22	1.97	50.0	1/4"-20 UNC	F05	
1-1/2	40	0.35	8.89	0.56	14.22	1.97	50.0	1/4"-20 UNC	F05	
2	50	0.35	8.89	0.56	14.22	1.97	50.0	1/4"-20 UNC	F05	
2-1/2	65	0.47	11.94	0.75	19.05	2.76	70.0	5/16"-18 UNC	F07	
3	80	0.47	11.94	0.75	19.05	2.76	70.0	5/16"-18 UNC	F07	
4	100	0.67	17.02	1.03	26.16	2.76	70.0	5/16"-18 UNC	F07	

Certified dimensional drawings are available upon request.

[†]This table reflects only the nearest metric equivalents.



FLOW COEFFICIENTS

Size	C _v	Size	C _v	Size	C _v	Size	C _v
1/4"	10	3/4"	32	1-1/2"	140	3"	1100
3/8"	10	1"	62	2"	365	4"	2200
1/2"	18	1-1/4"	115	2-1/2"	450		

MAX TORQUE R-PTFE SEATS

Size	in/lb	Size	in/lb	Size	in/lb	Size	in/lb
1/4"	50	3/4"	120	1-1/2"	400	3"	1350
3/8"	50	1"	180	2"	600	4"	2200
1/2"	75	1-1/4"	300	2-1/2"	1050		