

Style BVS6

Ball Valve

Carbon Steel (ASTM A 216, Grade WCB)

Stainless Steel (ASTM A 351, Grade CF8M)

NPT or Socket Weld Ends



Seal Welded High Pressure Ball Valve

APPLICATIONS

Industrial and Oil/Gas piping applications where the safety of seal welded construction is desired, any application that requires ASME B16.34 Class 2500 compliance and/or compliance with API 608, and operating pressures are 6000 PSIG or lower.

CONSTRUCTION

Keckley Style BVS6 seal welded high pressure ball valves are constructed from investment cast ASTM grade materials that are NACE MR0175 compliant. They are machined to exacting specifications. Full seal welding of body to tailpiece eliminates the possibility of the tailpiece unthreading, leaking or “blowing out” in service. All valves are shell and seat tested in accordance with API 598. ASME B16.34 Class 2500 compliance provides full conformance to ASME B31 Piping Codes.

FEATURES

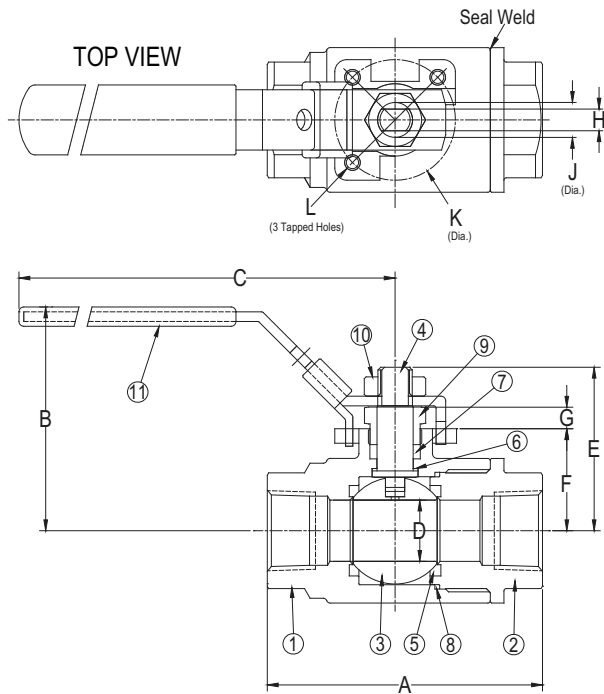
- Seal Welded Construction
- Fully Compliant to ASME B16.34 Class 2500
- Fully Compliant to API 608
- API 607 6th Edition Fire-Safe
- Full and Reduced Port Sizes are available
- All Models are NACE MR0175 Compliant
- Elongated Packing Gland for Ease of Access When Automated
- Standard ISO Actuator Mounting Pads on All Sizes
- Standard Locking Stainless Steel Handles
- Electrically Grounded Stem
- Optional PEEK Seats for High Temp Services

ORDERING

Reference *How to Order BVS6 Ball Valves* for building the Keckley Product Number.

WORKING PRESSURES - NON SHOCK

MATERIAL	MEDIA	¼" to 2"	8 mm to 50 mm
ASTM A 216, Grade WCB	W.O.G.	6170 PSI @ 100°F	42541 KPa @ 38°C
	Saturated Steam (WSP)	250 PSI @ 406°F	1724 KPa @ 208°C
MATERIAL	MEDIA	¼" to 2"	8 mm to 50 mm
ASTM A 351, Grade CF8M	W.O.G.	6000 PSI @ 100°F	41369 KPa @ 38°C
	Saturated Steam (WSP)	250 PSI @ 406°F	1724 KPa @ 208°C



Style BVS6

Seal Welded High Pressure Ball Valve
NPT or Socket Weld Ends.

PARTS LIST			
ITEM	DESCRIPTION	MATERIAL	
1	Body	A 216, WCB	A 351, CF8M
2	Tailpiece	A 216, WCB	A 351, CF8M
3	Ball	A 351, CF8M or 316SS	A 351, CF8M or 316SS
4	Stem	S17400 SS	S17400 SS
5	Seat (2)	PEEK	PEEK
6	Thrust Washer	PEEK	PEEK
7	Stem Packing	Graphite	Graphite
8	Body Seal	Graphite	Graphite
9	Packing Gland	A 276, 316	A 276, 316
10	Lock Nut	304SS	304SS
11	Handle	300 Series SS	300 Series SS

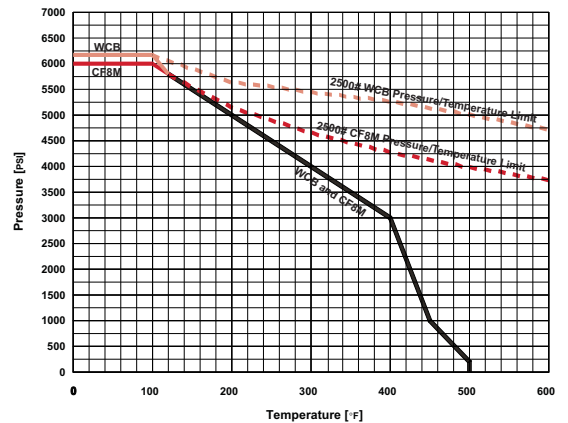
SIZE		DIMENSIONS														WEIGHTS	
		A		B		C		D		E		F		G			
in (Port)	mm	in	mm	in	mm	in	mm	in	mm	in	mm	in	mm	in	mm	lbs	kgs
1/4 (FP)	8	3.0	76.2	2.4	61.0	5.1	129.6	0.25	6.4	1.63	41.41	0.89	22.61	0.42	10.67	1.7	0.8
3/8 (RP)	10	3.0	76.2	2.4	61.0	5.1	129.6	0.25	6.4	1.63	41.41	0.89	22.61	0.42	10.67	1.7	0.8
1/2 (FP)	15	4.0	101.6	2.4	61.0	5.1	129.6	0.50	12.7	1.63	41.41	0.89	22.61	0.42	10.67	2.1	1.0
3/4 (FP)	20	4.3	109.3	3.0	76.2	5.6	142.3	0.75	19.1	2.22	56.39	1.29	32.77	0.42	10.67	3.5	1.6
1 (RP)	25	4.3	109.3	3.0	76.2	5.6	142.3	0.75	19.1	2.22	56.39	1.29	32.77	0.42	10.67	4.0	1.8
1 (FP)	32	4.5	114.3	3.5	88.9	7.4	188.0	1.00	25.4	2.80	71.12	1.65	41.91	0.43	10.93	6.0	2.7
1-1/2 (FP)	40	5.3	134.7	4.6	116.9	14.0	355.6	1.50	38.1	3.87	98.30	2.47	62.74	0.54	13.72	13.7	6.2
2 (RP)	50	6.3	160.1	4.6	116.9	14.0	355.6	1.50	38.1	3.87	98.30	2.47	62.74	0.54	13.72	16.5	7.5

Certified dimensional drawings are available upon request.
*This table reflects only the nearest metric equivalents.

SIZE		DIMENSIONS							ISO PATTERN
		H		J		K		L	
in (Port)	mm	in	mm	in	mm	in	mm	in	
1/4 (FP)	8	0.20	5.08	0.31	7.88	1.42	36.0	1/4"-20 UNC	
3/8 (RP)	10	0.20	5.08	0.31	7.88	1.42	36.0	1/4"-20 UNC	
1/2 (FP)	15	0.20	5.08	0.31	7.88	1.42	36.0	1/4"-20 UNC	
3/4 (FP)	20	0.28	7.12	0.44	11.18	1.65	42.0	1/4"-20 UNC	
1 (RP)	25	0.28	7.12	0.44	11.18	1.65	42.0	1/4"-20 UNC	
1 (FP)	32	0.35	8.89	0.56	14.23	1.97	50.0	1/4"-20 UNC	
1-1/2 (FP)	40	0.39	9.91	0.62	15.75	2.76	70.0	5/16"-18 UNC	
2 (RP)	50	0.39	9.91	0.62	15.75	2.76	70.0	5/16"-18 UNC	

Certified dimensional drawings are available upon request.
*This table reflects only the nearest metric equivalents.

PRESSURE vs. TEMPERATURE CHART



FLOW COEFFICIENTS

Size (Port)	C _v	Size (Port)	C _v	Size (Port)	C _v
1/4" (FP)	10	3/4" (FP)	32	1-1/2" (FP)	140
3/8" (RP)	10	1" (RP)	45	2" (RP)	125
1/2" (FP)	16	1" (FP)	65		

MAX TORQUE

Size (Port)	in/lb	Size (Port)	in/lb	Size (Port)	in/lb
1/4" (FP)	100	3/4" (FP)	270	1-1/2" (FP)	1200
3/8" (RP)	100	1" (RP)	270	2" (RP)	1200
1/2" (FP)	130	1" (FP)	700		