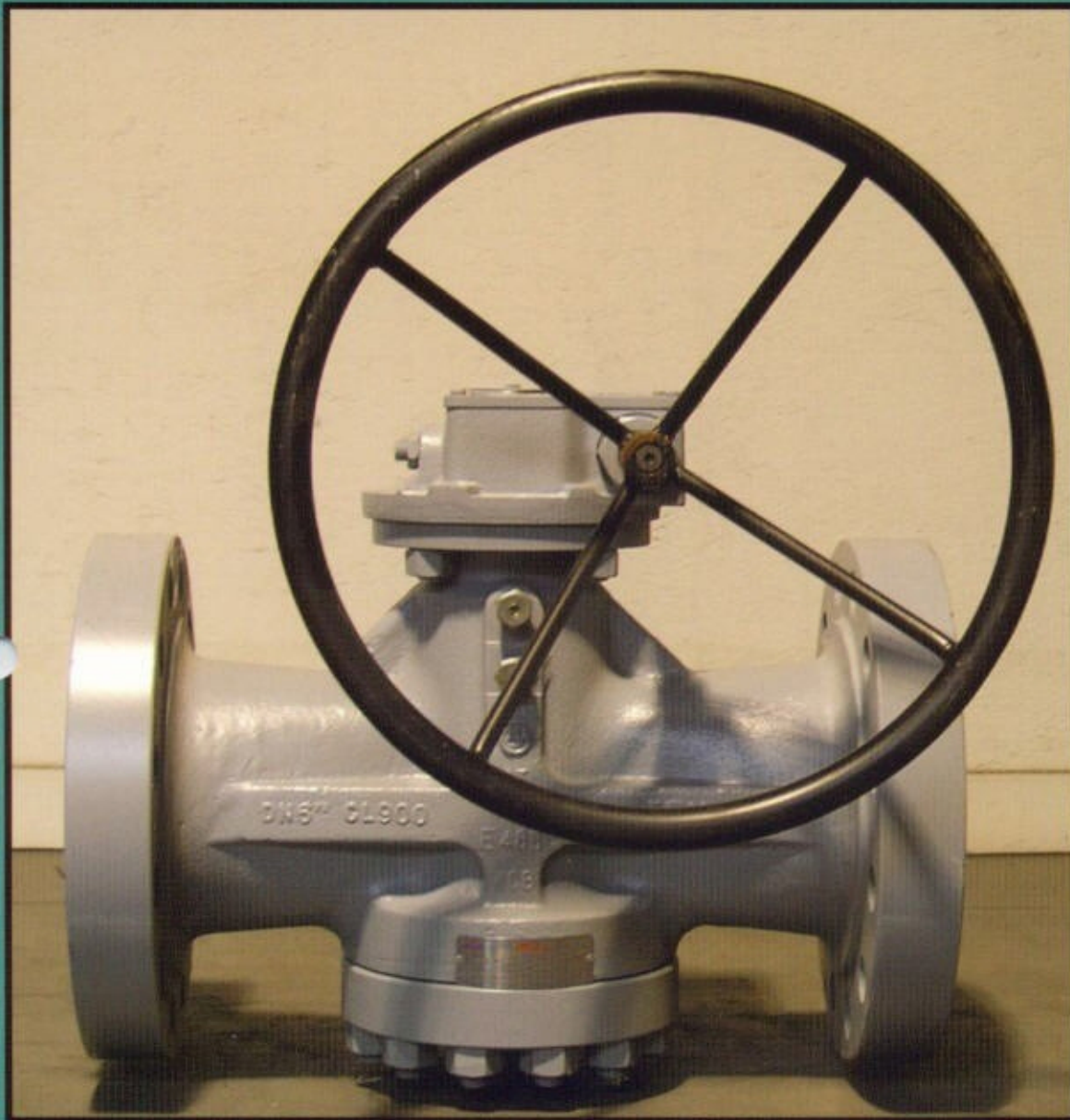


QuarterTurn

RESOURCES INC.



Complete valve packages including:

- Actuation and controls
- Stem extensions
- NDE testing
- Special coatings
- Subsea service



DELTA Valves, part of VALVITALIA Group



DELTA valves, part of the VALVITALIA Group, are manufactured in Italy, a country long known for its quality valves and energy equipment.

An innovative supplier to the oil, gas and power industries, the VALVITALIA Group offers an array of high-quality, competitively priced energy equipment, products and services including:

- actuators
- gear operators
- preassembled skids for gas regulating and metering stations
- refurbishment service for any type of valve.

When you purchase DELTA valves, you get global service through an expanding network of agents and distributors.

Experienced management, quality performance, large available inventory and full dedication to the customer's satisfaction differentiate DELTA from the competition.

Our commitment:
Offer the best product at a competitive price and respect agreed delivery times.



Pavia Plant, Rivanazzano (PV) Italy

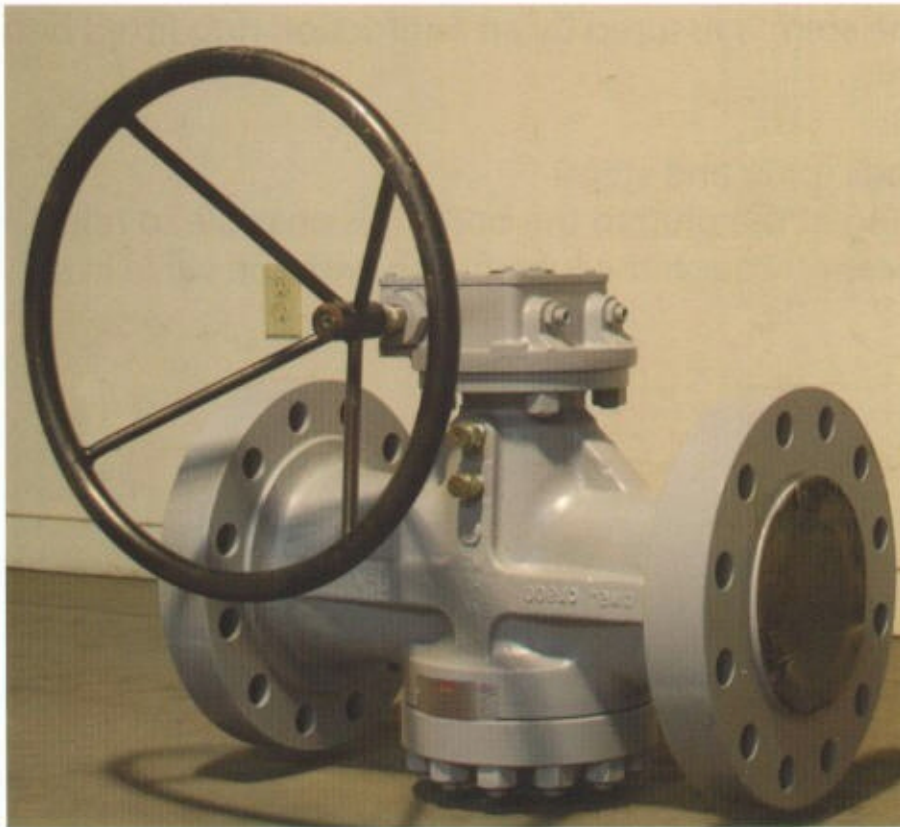




Delta Valves, part of VALVITALIA Group

All Delta Fig 20 lubricated plug valves stocked by Quarter Turn Resources are API-6D monogrammed and meet the requirements of NACE MR 01-75.

In natural gas service, it is possible to encounter small amounts of H_2S which may cause corrosion. This phenomenon is normally known as "Hydrogen Sulfide Embitterment" or "Hydrogen Stress Cracking." The absorption of hydrogen from part of the steel causes ductility which, when added to other elements of stress given by the service itself, may originate failure of the forged or cast components. Steels with yield strengths above 90,000 psi or with hardness over 22 Rockwell may be subject to "Sulfide Stress Cracking." DVE checks all basic material components for hardness to remain below 22 Rockwell.



Materials of Construction:

BODY: A216 WCC

PLUG: A216 WCC w/ENP Coating

LOWER COVER: A105

UPPER COVER: A105

STUD: A193 B7M

NUT: A194 2HM

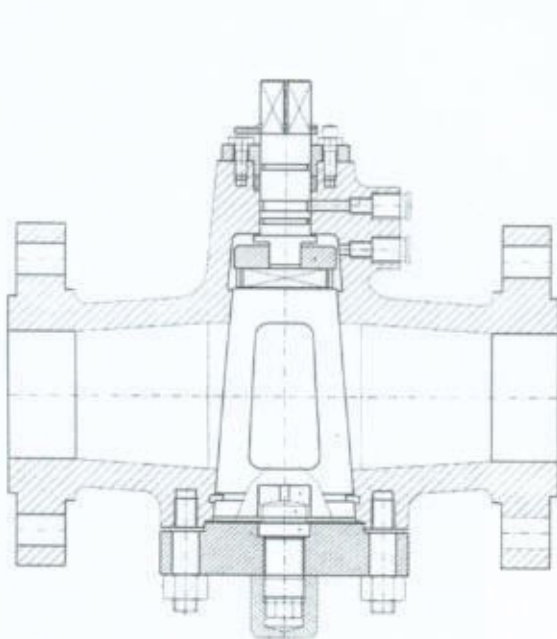
Delta Fig 20 Lubricated, Pressure Balanced, Inverted Type Plug Valve



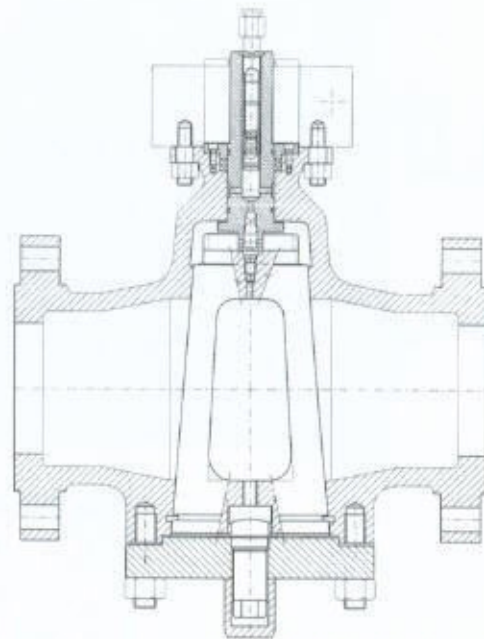
Lubricated plugs are normally installed where existing pulsating or static high pressures are present. The benefit of a pressure balanced plug is the equalization of pressure between the plug and the upper and lower body chambers. Pressure is balanced utilizing two holes in the plug connecting the plug port with both the upper and lower body cavities. The hole in the lower end is a simple connection passage while the hole in the upper end is provided with a check valve. The check valve assures pressure is always equal to or greater in the upper body cavity than what is present in the lower body cavity.

ADVANTAGES:

- Easy maintenance after a long period of time in the static position
- Tightness of the stem is assured by an antifriction ring fitted between the stem and body
- Dual stem seals
- Dual lube fittings (plug and stem)
- In case of locking of the plug to the body, it is possible to release by injecting lubricant through the lube fitting with the valve in service.



WRENCH OPERATED



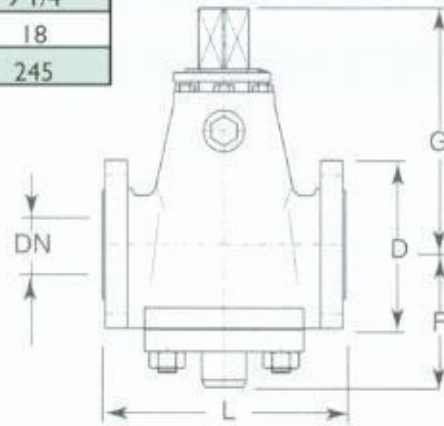
GEAR OPERATED



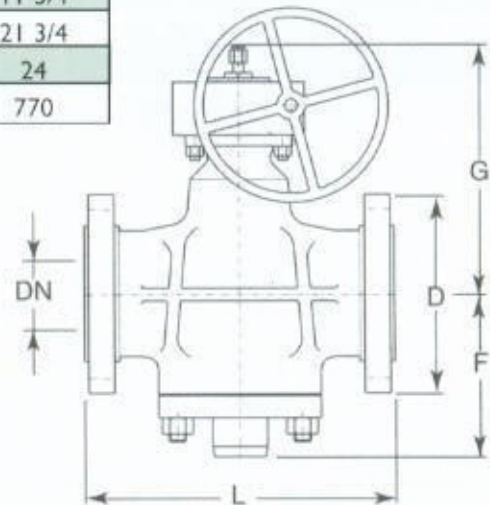
Type 20

Class 150

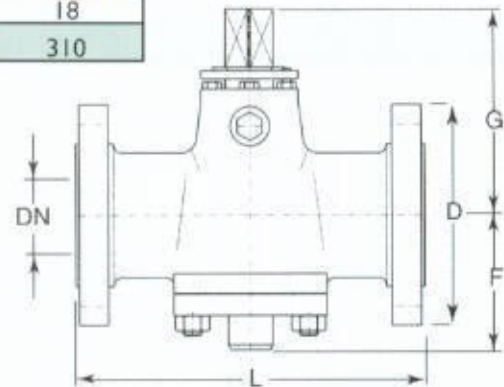
SHORT PATTERN WRENCH OPERATED					
Size	inch	2"	3"	4"	6"
L RF	inch	7	8	9 1/16	10 1/2
L BW	inch	10 1/2	13	14 1/16	18
D	inch	6	7 1/2	9 1/16	11
F	inch	5	6 3/4	7 1/2	9 1/4
G	inch	11 1/2	14	15	18
Weight	lbs.	45	90	135	245



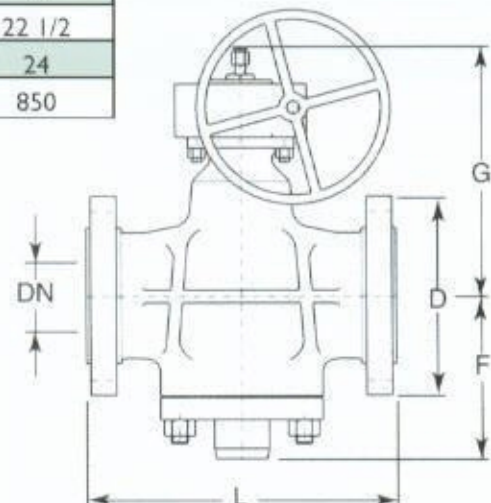
SHORT PATTERN GEAR OPERATED					
Size	inch	6"	8"	10"	12"
L RF	inch	10 1/2	11 1/2	13	14 1/16
L BW	inch	18	20 1/2	22	25
D	inch	11	13 1/2	16	19 1/16
F	inch	9 1/2	10 1/4	11	11 3/4
G	inch	19	20	21	21 3/4
Handwheel dia	inch	20	20	24	24
Weight	lbs.	300	375	500	770



SHORT PATTERN WRENCH OPERATED					
Size	inch	2"	3"	4"	6"
L RF	inch	8 1/2	11 1/8	12	15 7/8
L BW	inch	10 1/2	13	14 1/16	18
D	inch	6 1/2	8 1/4	10	12 1/2
F	inch	5 1/2	6 3/4	7	9 1/4
G	inch	11 1/2	14	15	18
Weight	lbs.	55	110	170	310



SHORT PATTERN GEAR OPERATED					
Size	inch	6"	8"	10"	12"
L RF	inch	15 7/8	16 1/2	18	19 3/4
L BW	inch	18	20 1/2	22	25
D	inch	12 1/2	15	17 1/2	20 1/2
F	inch	9 1/2	10 1/4	11	12
G	inch	19 5/8	21	21 5/8	22 1/2
Handwheel dia	inch	24	24	24	24
Weight	lbs.	420	550	625	850

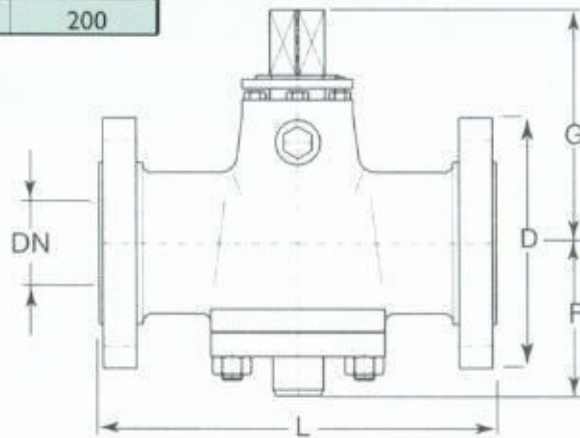


Type 20

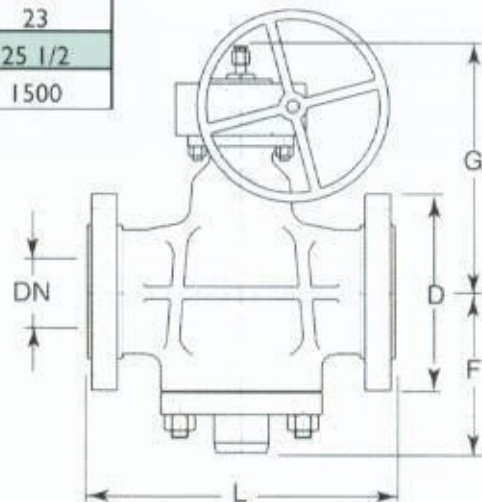


Class 600

REGULAR PATTERN WRENCH OPERATED				
Size	inch	2"	3"	4"
L RF	inch	11 1/2	14	17
L BW	inch	11 1/2	14	17
D	inch	6 1/2	8 1/4	10 3/4
F	inch	5 1/2	6 1/4	7 1/4
G	inch	11 1/2	14	15
Weight	lbs.	65	145	200



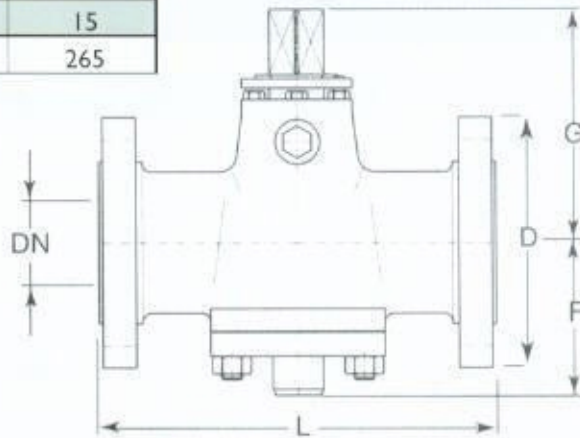
REGULAR PATTERN GEAR OPERATED					
Size	inch	6"	8"	10"	12"
L RF	inch	22	26	31	33
L BW	inch	22	26	31	33
D	inch	14	16 1/2	20	22
F	inch	9 1/2	10 1/4	11	12
G	inch	20 1/2	21 1/2	22 1/2	23
Handwheel dia	inch	20	25 1/2	25 1/2	25 1/2
Weight	lbs.	460	860	1210	1500



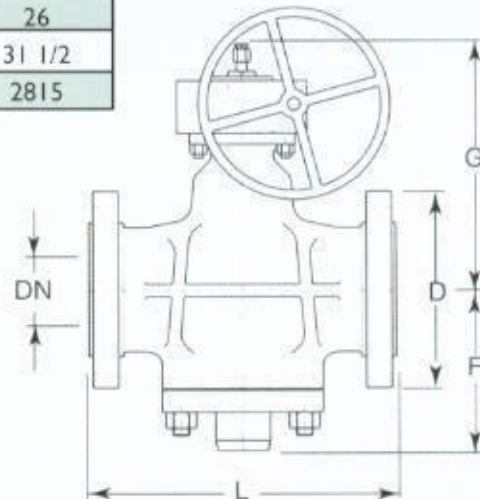
Class 900



REGULAR PATTERN WRENCH OPERATED				
Size	inch	2"	3"	4"
L RF	inch	14 1/2	15	18
L RJ	inch	14 5/8	15 1/8	18 1/8
L BW	inch	14 1/2	15	18
D	inch	8 1/2	9 1/2	11 1/2
F	inch	5 1/2	6	8
G	inch	11 7/8	14	15
Weight	lbs.	145	200	265



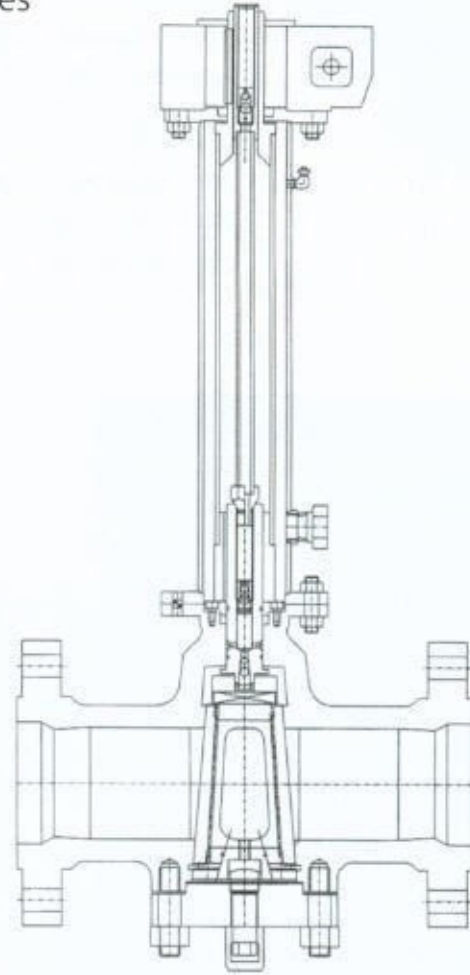
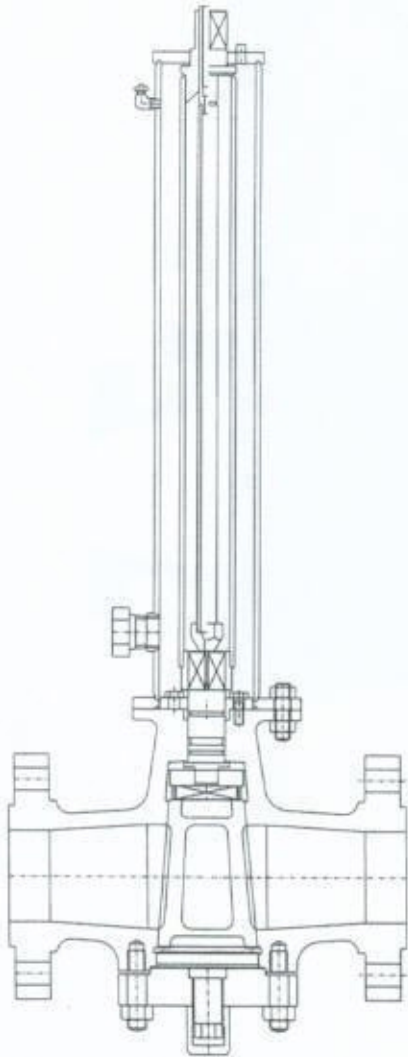
REGULAR PATTERN GEAR OPERATED					
Size	inch	6"	8"	10"	12"
L RF	inch	24	29	33	38
L RJ	inch	24 1/8	29 1/8	33 1/8	38 1/8
L BW	inch	24	29	33	38
D	inch	15	18 1/2	21 1/2	24
F	inch	10	12	12 1/2	14
G	inch	20	21	23	26
Handwheel dia	inch	24	25 1/2	25 1/2	31 1/2
Weight	lbs.	700	1050	1675	2815



QuarterTurn Resources Value-Added Capabilities

QuarterTurn Resources, located in Ponca City, Oklahoma, offers the following value-added items:

- stem extensions for buried service
- automation (pneumatic or electric) with full control panels and valve adaptation
- in-house hydrostatic testing with pressure and temperature charts
- welding and x-ray of pipe pups to weld end valves
- special coatings



Valvitalia S.p.A.
Via Tortona, 69
27055 Rivanazzano (PV) - Italy
Ph. + 39.0383.945911
Fax +39.0383.9459962
E-mail: info@valvitalia.com
www.valvitalia.com



**Automation Division
of Valvitalia S.p.A.**
Via Tortona, 69
27055 Rivanazzano (PV) - Italy
Ph. + 39.0383.945911
Fax +39.0383.9459919
E-mail: info@valvitalia.com
www.valvitalia.com

Pavia Plant

Padova Plant

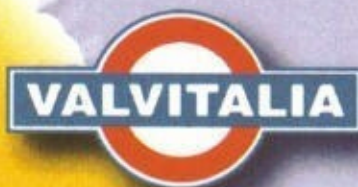


Tormene - Gas Technology S.p.A.
Via Campolongo, 97
35020 Due Carrare (PD) - Italy
Ph. + 39.049.9199611
Fax +39.049.9125455
E-mail: tormene@tormene.it
www.tormene.com

Piacenza Plant



Tecnoforge S.p.A.
Via Emilia Pavese, 38
29015 Castelsangiovanni (PC) - Italy
Ph. +39.0523.889811
Fax +39.0523.889895
E-mail: tecfor@tecfor.it
www.tecnoforge.com



GROUP

Vicenza Plant



Vitas - Division of Valvitalia S.p.A.
S.S 11 - Via Olmo 31/ 33
36077 Altavilla Vicentina (VI) - Italy
Ph. +39.0444.337111
Fax +39.0444.349359
E-mail: vitas@valvitalia.com
www.valvitalia.com

Arena Plant

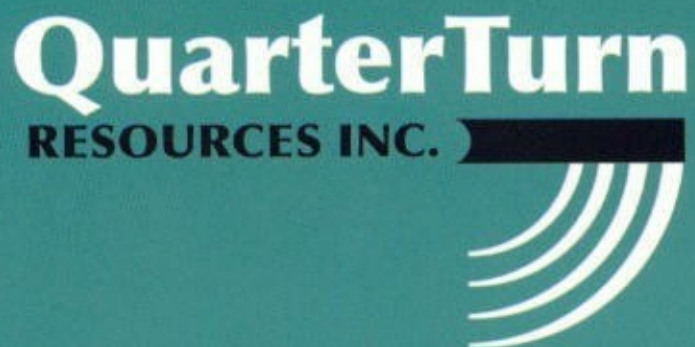


Tecnoforge S.p.A.
Via Stazione
27040 Arena Po (PV) - Italy
Ph. +39.0385.70341
Fax +39.0385.70450
E-mail: tecfor@tecfor.it
www.tecnoforge.com

Cairo Plant



Valvitalia EGYPT S.A.E.
Block K - Nasr City Free Zone
Cairo - Egypt
Ph. +20.2.4048423 - Fax +20.2.4048324
E-mail: valvitaliaegypt@link.net
www.valvitalia.com



QuarterTurn Resources Inc.
3505 W. North Avenue
P.O. Box 1455
Ponca City, OK 74601

Toll free (866) 765-0183
Phone (580) 765-0183
Fax (580) 765-0182

E-mail: sales@qtrinc.biz